

Model B00121

Storage Tank for Fi-Streem Glass Still

INSTRUCTION MANUAL



Table of Contents

Introduction..... 3

Package Contents 3

Warranty 3

Service 3

Installation..... 4

Safety Instructions 5

Maintenance..... 6

Specifications..... 6

Replacement Parts..... 6

Introduction

The LabStrong™ Storage Tank for Fi-Stream Glass Stills Model B00121 is designed to store distilled water for laboratory applications. This manual contains the information you will need to install, operate, and maintain the LabStrong 40 liter reservoir for Fi-Stream Glass Stills. Careful attention to the following instructions will ensure that the Fi-Stream still and the 40 liter storage reservoir run properly and produce water to your specification.

Package Contents

Instruction Manual
LabStrong™ Storage Tank for Fi-Stream Glass Stills Model B00121
Wall Mounting Bracket
Float Switch Mounting Spacer and Air Filter

Warranty

Seller warrants that its products are free from defects in materials and workmanship (under normal conditions of use and service) for one year from date of shipment to the original purchaser and will conform to the contract specifications or such other specifications which constitute technical improvements to the product.* The exclusive remedy of buyer in the event of a breach of the foregoing warranty is to the replacement or repair (at seller's option) of any defective product. No goods shall be returned to seller for repair or replacement pursuant to this warranty without prior written approval. All cleaning, decontamination, and shipping costs shall be the sole responsibility of the buyer together with any damage to the goods that might occur in transit to or from seller. Under no circumstances does seller's responsibility or warranty extend to products other than those manufactured or distributed by seller; nor does seller's liability extend to any products, articles or parts which are furnished by buyer or obtained from other manufacturers or suppliers at buyer's request and/or in accordance with buyer's specifications. In the event that seller is unwilling or unable to repair or replace any defective or nonconforming product due to change in technical standards, technical modifications, non-availability of material or parts, or any other reason, buyer shall be entitled to a return of the purchase price paid for such product, as its sole and exclusive remedy. Seller assumes no responsibility whatsoever for the accuracy of designs, specifications or materials furnished or specified by buyer. THE WARRANTIES SET FORTH HEREIN ARE IN LIEU OF ANY AND ALL OTHER WARRANTIES, EXPRESS OR IMPLIED, INCLUDING THE WARRANTIES OF MERCHANTABILITY AND FITNESS. THE BUYER ACKNOWLEDGES THAT IT IS NOT RELYING ON THE SELLER'S SKILL OR JUDGEMENT TO SELECT OR FURNISH GOODS SUITABLE FOR ANY PARTICULAR PURPOSE AND THAT THERE ARE NO WARRANTIES WHICH EXTEND BEYOND THOSE SET FORTH HEREIN. IN NO EVENT SHALL SELLER BE LIABLE FOR BUYER'S LOSS OF PROFIT OR INCIDENTAL, CONSEQUENTIAL OR SPECIAL DAMAGES OF ANY KIND. *All wearing and glass parts, e.g., pistons, seals, valves, etc. are excluded from this Warranty.

For your reference, make a note of the serial number, date of purchase, and supplier here:

Serial Number: _____

Model Number: _____

Date of Purchase: _____

Supplier: _____

PLEASE REGISTER YOUR NEW PRODUCT ONLINE AT WWW.LABSTRONG.COM

Service

Please refer to the Specification Plate for the complete model number, serial number, and series number when requesting service, replacement parts or in any correspondence concerning this unit. All parts listed herein may be ordered from the LabStrong dealer from whom you purchase this unit or can be obtained promptly from the factory. When service or replacement parts are needed, we ask that you check first with your dealer. If the dealer cannot handle your request then contact our Customer Service Department at (563) 588-8900.

For service, contact LabStrong Corporation™ at (563) 588-8900. They will provide a Return Authorization form that must be completed before a RGA number is issued. Once a RGA number is issued, please return for repair to our Service Department in the United States located at:

LabStrong Corporation
7709 Commerce Park
Dubuque, Iowa 52002

Installation

- **Unpacking:** Before opening shipping carton, examine it for signs of damage. Open carton without damaging it. Lift storage tank from the bottom and place on a flat, stable non-slip surface. Carefully remove and inspect remaining contents of package to ensure they have not been damaged during transportation. If there is shipping damage, call delivery center immediately and file a claim. Do not discard packaging material. After unpacking, read Safety Instructions.
- **System Location:** The storage tank should be placed on right-hand side of the Fi-Stream still. Allow a minimum of 10 inches on top and 10 inches on either side of the unit for servicing.
- **Float Switch Assembly:** Your glass still comes with a float switch and must be installed in the tank before mounting the tank to the wall. The following instructions will step you through the installation of the float switch to the tank. This is required to allow the glass still and storage tank to operate as one single automatic system:
 - Disassemble the float switch by removing the top and bottom clip of the float switch assembly.
 - Remove the float from the float switch assembly.
 - Remove the jam nut from the assembly.
 - Slide the float switch assembly through the spacer (provided with the tank) and thread the float switch to the spacer. Tighten.
 - Remove the top metal cover from the tank.
 - Remove the round black plastic cover from the plastic tank.
 - Place the float switch assembly with spacer through the proper hole location in the tank (refer to exploded view for proper hole location on Page 5). Tighten the fastener nut to the float switch assembly to the tank.
 - Place the float back on the float switch assembly along with the top and bottom clip of the float switch assembly.
 - Thread float switch cable through the grommet on the left hand side of tank (refer to item #3 in the exploded view on Page 7).
 - Place the round black plastic cover back on the tank.
- **Mounting:** The tank may be either wall or bench mounted. For wall mounting systems only, proceed with the following steps:

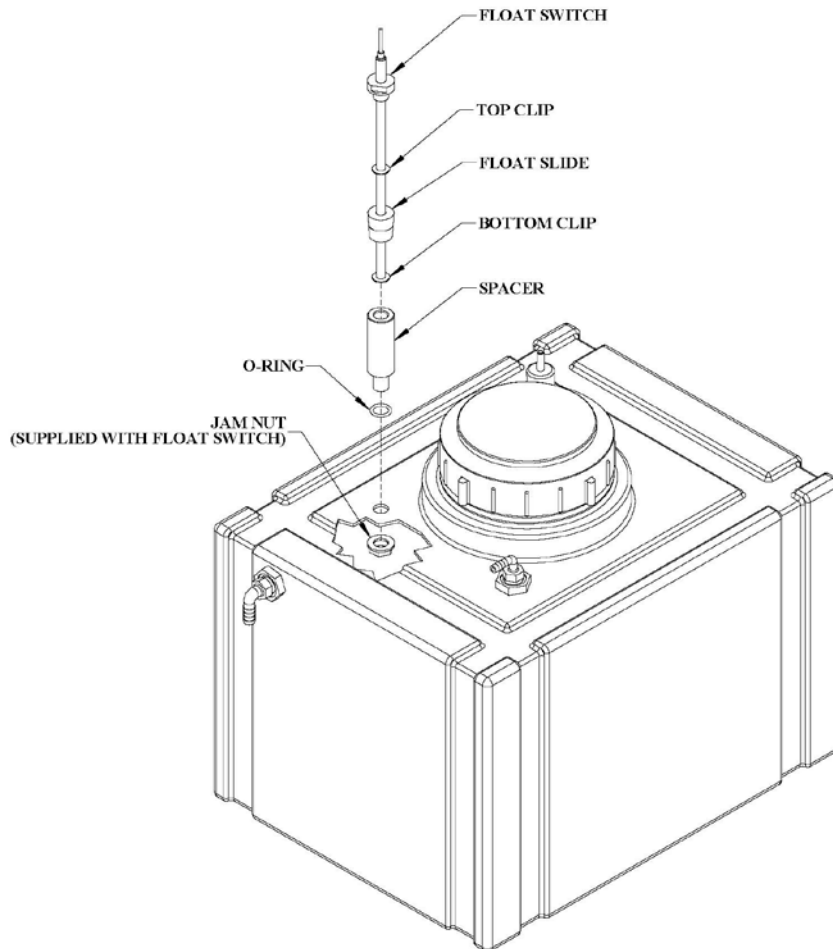
NOTE: The wall must be capable of handling the weight of the still (operating weight 49 to 80 lbs) and the tank (support weight 300 lbs). Refer to Safety Instructions section of this manual for more information.

 - Use the wall bracket as a template. Locate and drill the mounting holes in mounting surface. Use proper screws and fasteners for mounting. Six fasteners will be required—three on the top and three on the bottom.
 - After you install the float switch assembly (listed below), hang storage tank on the bracket by sliding pins into bracket grooves.
- **Distillate Connection:** The still distillate tube may be connected through the left hand side of the tank. The tank is supplied with a grommet on the left side of the metal case, (refer to the exploded view on Page 5 for the location of the distillate tube). Connect the distillate tube to the ¼" NPT hose barbed fitting (90° elbow) on the top of the tank.

NOTE: When wall mounting the storage tank, be sure to allow the distillate tube to have a slight downward run from the still to the storage tank.
- Place the top metal cover back on the tank.
- Your tank is now ready for storage of distilled water. We recommend that you rinse the tank with approximately 10-15 liters of distilled water before final use.

NOTE: You must connect the overflow tube at the back of the tank to a proper atmospheric drain.

Float Switch Assembly



Safety Instructions

- ⚠ **WARNING!** Do not mount storage tank directly over equipment that requires electrical service. Routine maintenance of this unit may involve water spillage and subsequent electrical shock hazard if improperly located.
- ⚠ **WARNING!** This device is to be used with water feeds only. Sanitizing/cleaning agents must be used in compliance with instructions in this manual. Failure to comply with the above could result in explosion and personal injury.
- ⚠ **WARNING!** Wall composition and construction must be considered when mounting this unit. The mounting surface and fasteners must be capable of supporting a minimum of 300 pounds. Inadequate support and/or fasteners may result in damage to mounting surface and/or equipment. If you are unsure of mounting surface composition, condition and construction, or correct fasteners, consult your building maintenance group or contractor.
- ⚠ **WARNING!** Avoid splashing disinfection solutions on clothing or skin.
- ⚠ **WARNING!** Ensure adequate ventilation.
- ⚠ **WARNING!** Carefully follow manufacturer's safety instructions on labels of chemical containers and material safety data sheets.
- ⚠ **WARNING!** Refer servicing to qualified professional. For a list of authorized service representatives call LabStrong™.
- ⚠ **CAUTION!** Always use distilled water for cleaning and rinsing. Raw water will defeat the purpose of cleaning.

Maintenance

- Maintenance of the storage tank is fundamentally limited to cleaning the tank and its components and to the replacement of filters. Clean the tank as follows:
 - Stop the distillate producing system so that no distillate is entering storage tank.
 - Drain tank by spigot at front of the tank.
 - Remove outer storage tank cover and black plastic inner cover.
 - Clean inner tank cover with a mild detergent with distilled water. Rinse with distilled water. To clean tank, add 500 mL of household bleach to tank and fill tank with distilled water. It is not necessary to heat distilled water. Let stand for 30 minutes.
 - Drain tank through faucet assembly at front of the tank. This will drain the cleaning solution and rinse water through the faucet. Rinse tank surfaces with one tank full of distilled water. Drain water before using product water from tank.
 - Repeat process if first cleaning is not sufficient in removing contaminations from tank.
 - Once tank has been cleaned and flushed with distilled water, at least once, the tank will then be ready for use to distribute product water.
 - Replace the air filter after cleaning the tank or sooner if product flow from tank diminishes.
- NOTE:** Please contact LabStrong™ at (563) 588-8900 if you require an Authorized Service Representative to clean or repair your storage tank.

Specifications

Inlet Connection	¼" Hose Barb Fitting
Storage Capacity	40 Liters
Overflow Outlet	3/8" I.D. tubing
Shipping Weight	70 lbs
Operating Weight	124 lbs
Dimensions	21 5/8" x 15 ¼" x 24 ¾"

Replacement Parts

Ref. No.	Description	Part Number
1	Float Switch	562X8LS
2	Float Switch Cable Bushing	BU-001
3	Distillate Inlet Bushing	BU-002
4	Filter	FL-001
5	Fastener-Nut, Jam Nut	FN-009
6	Fastener-Nut, Mounting	FN-0012-1
7	Foot	FT-003
8	Air Filter Grommet	GM-002
9	Gasket	GS-003
10	Float Switch Spacer Gasket	GS-004
11	Distillate Inlet Elbow	PM-005
12	Overflow Outlet Elbow	PM-006
13	Spigot	PM-007
14	Product Water Outlet Elbow	PM-008
15	Bulkhead Fitting	PM-010
17	Product Water Outlet Bulkhead Fitting	PM0012-1
18	½" OD x 3/8" ID Overflow Tube	TU0012-1
19	¾" OD x ½" ID Product Drawoff Tube	TU-002

Replacement Parts

